


MANISCOPIC **MHT 860 LT** LSU *Evolution*




- Capacity : 6000 kg
- Lift height : 8.10 m
- Engine : 144 cv
- 4 wheel steer – 4 wheel drive
- Hydrostatic transmission
- Frame levelling 10°/10°
- JSM : an « all in one » system


MHT 860 LT LSU *Evolution*

 **Lifting capacity**.....6000 kg
(load centre at 600 mm from forks heels)
Tipping load at maximum reach1800 kg


 **Lifting height** :8.10 m
Times :
Lifting9.8
Lowering7.8
Boom extension11.3
Boom retraction6.7


 **Tyres**18-22.5 16 PR

 **Forks** (mm)
Length1200
Width x thickness.....200 x 60
Maximum distance between forks1750
Carriage rotation134°

 **Brakes**
oil bath muldisc brakes on front and rear axles


 **Axles**
Frame levelling+/-10°
Oscillating rear axle

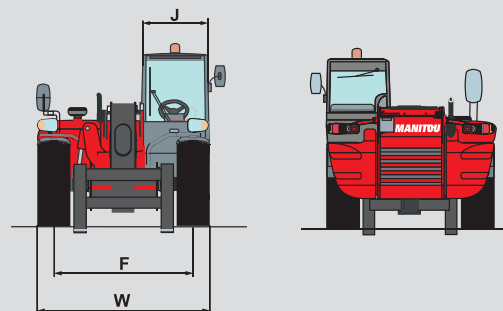
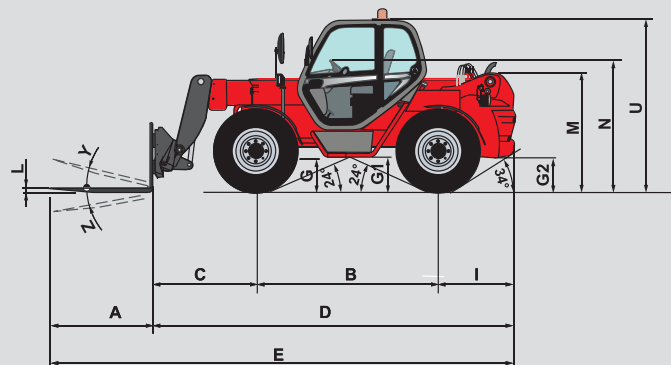
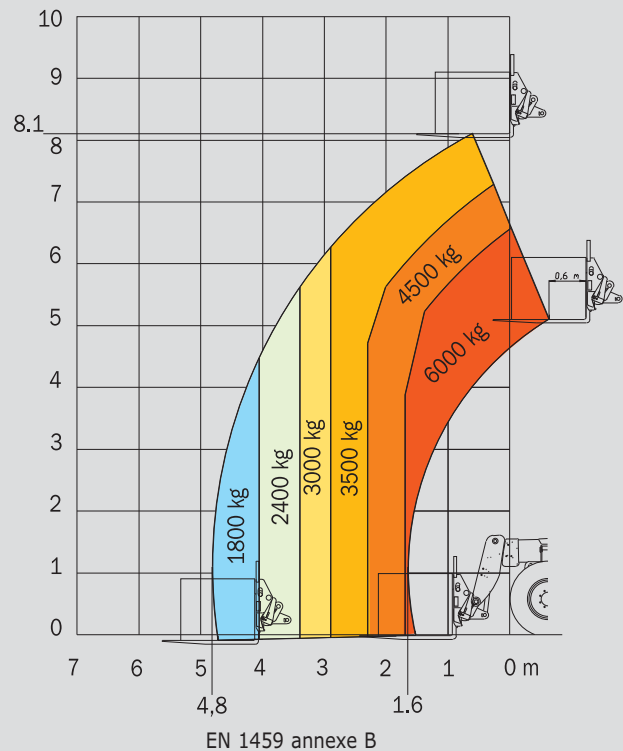
 **Perkins engine Stage III A**
1104 D - E 44 TA4 cylindres - 4400 cm³
Power (ISO/TR 14396) :144 HP/106 kw
Maximum torque :
(ISO/TR 14396).....556 Nm at 1400 tr/mn
Direct injectionelectronic
Water cooling

 **Hydrostatic transmission**
Hydraulic variable displacement pump and motor
Reversing shiftelectromagnetic
Gearbox.....2 speeds
Max. travel speed28 km/h

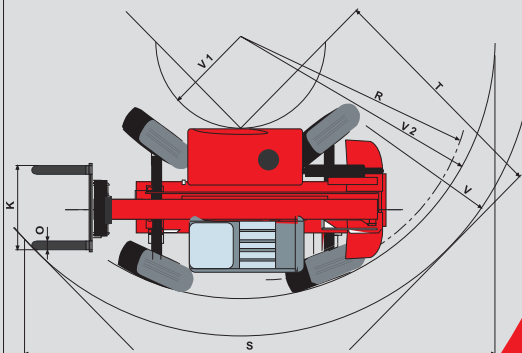
 **Hydraulic**
Variable displacement pump...140 l/mn-275 bars
Proportionnal valve bank
Monolever **J.S.M (Joystick Switch and Move)**
Flow divider with low sensing device for steering

 **Capacities**
Hydraulic oil.....140 l
Fuel tank.....120 l

 **Weight unladen** (with forks).....11580 kg
Overall height2.46 m/2.47m with air con.
Overall width2.40 m
Overall length (at forks carriage)5.36 m
Ground clearance.....0.41 m
Turning radius (outside wheels)3.78 m
Drawbar pull10500 daN



A	1200
B	2730
C	1540
D	5365
E	6565
F	1930
G	410
G1	450
G2	410
I	1095
J	865
K	1750
L	60
M	1700
N	1845
O	200
R	3560
S	7883
T	4406
U	2460
V	5205
V1	1130
V2	3780
W	2400
Y	11°
Z	123°



This publication in no way constitutes an offer and the company reserves the right to alter specification without prior notice. The MANITOU models presented in this brochure can be supplied complete with optional equipment attachments.

MANITOU BF SA

B.P. 249 - 44158 Ancenis Cedex - France
Tel. : 33 2 40 09 10 11 / Export Department Fax : 33 2 40 09 10 97
www.manitou.com

700301EN-C - 04/08

