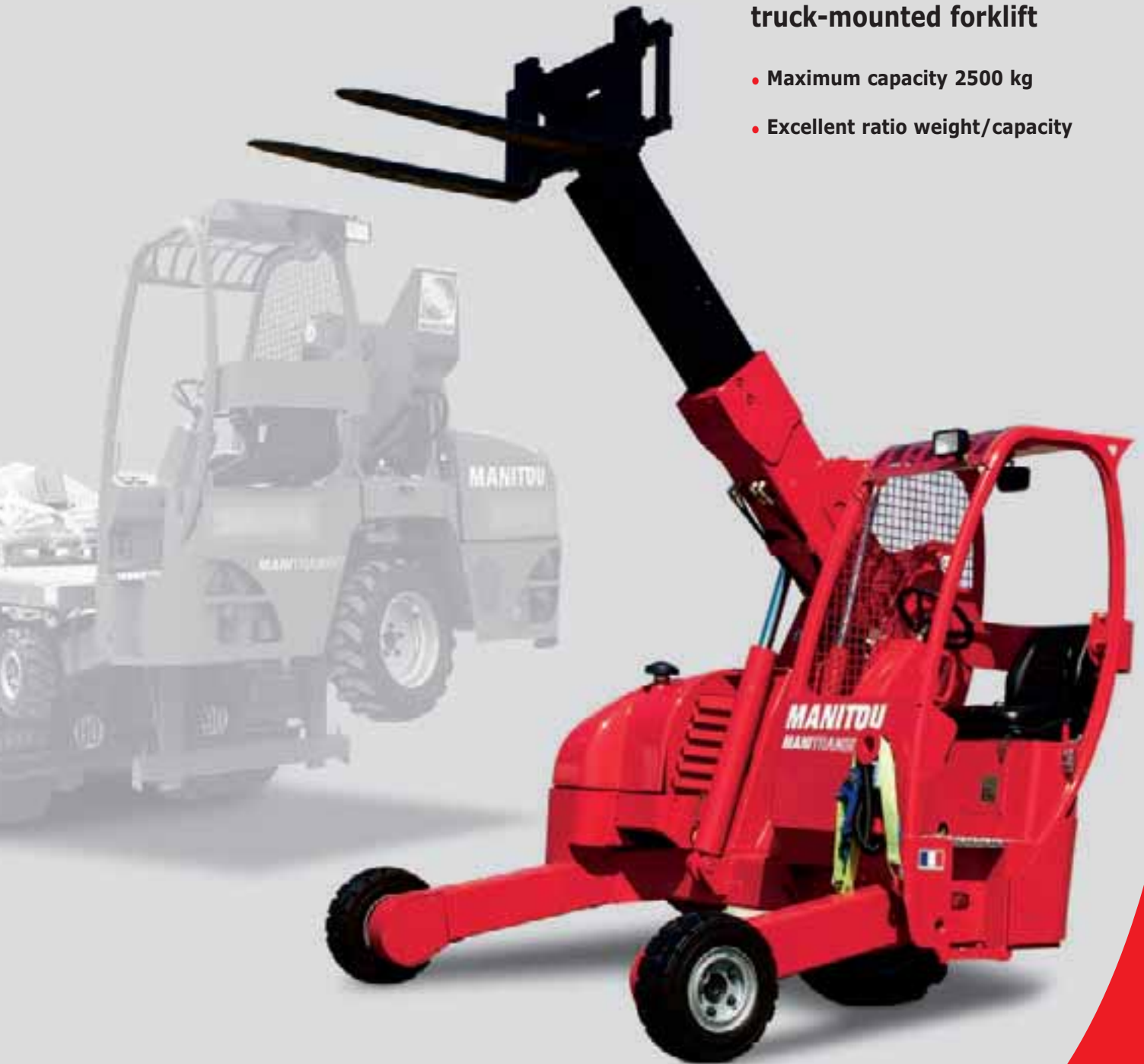


MANITRANSIT ■ TMT 2520 C

**Semi-industrial telescopic
truck-mounted forklift**

- Maximum capacity 2500 kg
- Excellent ratio weight/capacity



TMT 2520 C



CAPACITY

Maximum Capacity2500 kg



LIFTING

Maximum lifting height3050 mm
Maximum front reach1050 mm
Side-shift.....135 mm



ENGINE / TRANSMISSION

TypePERKINS (50 HP)
Hydrostatic transmission
Driving wheels3



TYRES

Front tyres18X7,8 16PR
Rear tyre.....10X16,5 10PR



DIMENSIONS

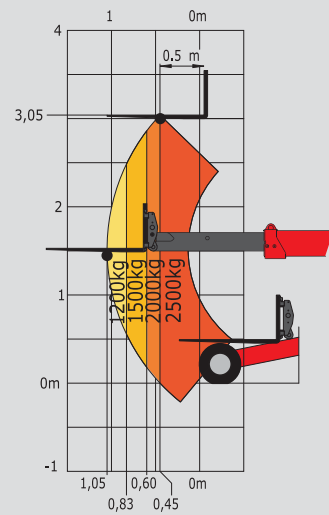
Width2332 mm
Height2214 mm
Overhang (in transport position)1170 mm
Weight (without equipment)2067 kg

IN STANDARD

ROPS/FOPS Cab + load indicator
FNR joystick
Waterproof dashboard and electric connections
Differential lock
Anticorrosion treatment by cataphoresis

OPTIONS

Full mounting kit (+ load repartition calculation)
Rearview mirrors
Rotating beacon
Road lights
Working lights and reversing light
Load backrest



BOOM



Enables you to offload your lorry with the best visibility ever.

FNR JOYSTICK



This new « boom control » joystick now integrates the « reversing shift » function : the driver can keep one hand on the steering wheel and one hand on this joystick to operate any movement. Time saving and much better driving position.

POWER



With a 50 HP Perkins engine connected to its 3 driving wheels, the TMT 2520 C has more power to be at ease on any kind of ground.



This publication in no way constitutes an offer and the company reserves the right to alter specification without prior notice.
The MANITOU models presented in this brochure can be supplied complete with optional equipment attachments.
IMPORTANT : All regulations relating to vehicles apply to vehicles equipped with truck-mounted forklifts.
Patented design

MANITOU BF SA

B.P. 249 - 44158 Ancenis Cedex - France
Tel. : 33 2 40 09 10 11 / Export Department Fax : 33 2 40 09 10 97
www.manitou.com

700311EN-B - 12/07 - Doc BE 311/Ind. B

