

MANISCOPIC

MHT 7140
Turbo

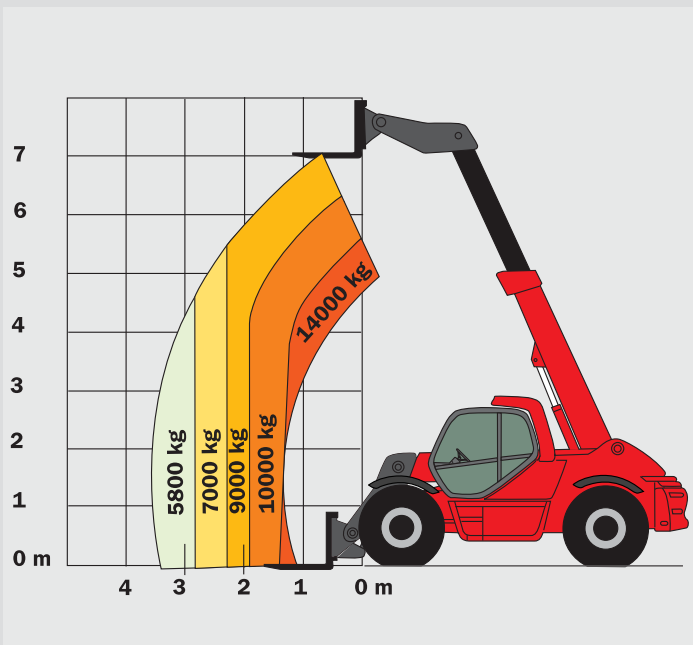
- Capacity : 14000 kg
- Lift height : 7m
- Maximum forward reach : 3.50 m
- Engine : 175 HP
- 4 wheel steer – 4 wheel drive
- Hydrostatic transmission



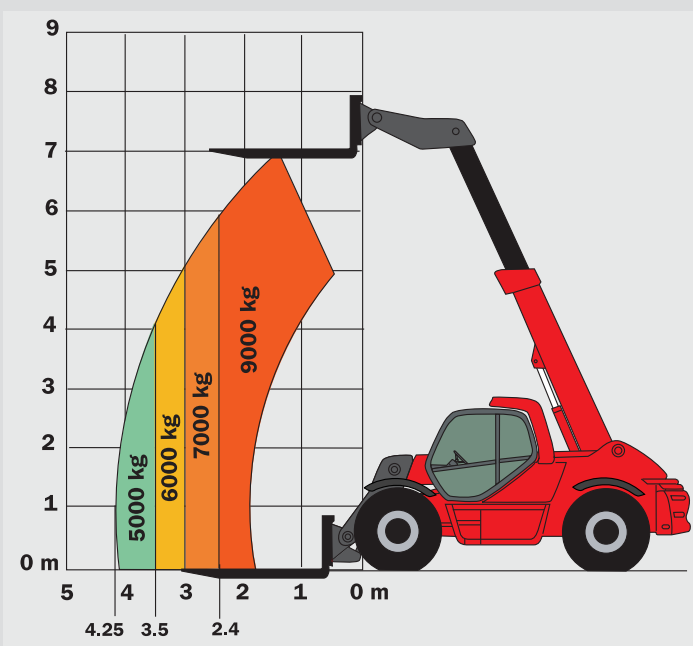
 **MANITOU**

MHT 7140 TURBO

LOAD CENTRE AT 600 MM



LOAD CENTRE AT 1200 MM



ENGINE

Diesel MERCEDES OM 904 LA Turbo – Intercooler – Air / Air

Capacity : 4 cylinders / 4250 cm³
 Power (ISO/TR 14396) : 175 HP / 129 kw
 Rated speed : 2300 r.p.m.
 Maximum torque at 1200 r.p.m. : 660 Nm

Electronic injection (4 injection pumps and 4 injectors)

Fan : puller
 Cooling : water

Water radiator, with double-speed hydraulic fan (2000 to 3000 r.p.m.)

Anti-polluting standards
 Air filter (type / micron) : cartridge / 3
 Battery : 12 Volts
 Capacity : 120 Ah

LIFT CAPACITY / HEIGHT

Load centre	at 600 mm	at 1200 mm
Lift capacity :	14000 kg	9000 kg
Capacity at max. height	9000 kg	9000 kg
Capacity at max. front reach :	5800 kg	5000 kg
Lift height :	7.00 m	7.00 m
Maximum front reach :	3.50 m	4.25 m

TRANSMISSION

Hydrostatic transmission **REXROTH**

Hydrostatic variable flow pump : 125 cm³
 Hydrostatic variable cylinder engine : 160 cm³
 Reversing shift : electro-magnetic

Differential central : YES

2 forward and reverse speeds :

Low speed : 10 km/h
 Fast speed : 25 km/h

HYDRAULICS

Main pump : piston high pressure Load Sensing

Capacity : 75 cm³
 Maximum pressure : 350 bar
 Flow : 170 L/mn
 Max. flow on attachment (at 350 bar) : 140 L/mn

Steering pump

Type : Load sensing
 Maximum pressure : 210 bar

Power brake circuit pump

Type : **REXROTH**
 Capacity : 25.7 cm³
 Maximum pressure : 40 bar
 Flow : 45 L/mn

Hydraulic oil radiator

2 continuous fans
 2 automatic fans

Distributor : Big flow hydraulic proportional REXROTH (280 to 300 L/mn) with 4 closed centre elements

Drive Type : Proportional hydraulic joystick with 3 movement combination

- 1- Lifting / Crowding
- 2- Boom extension / Attachment
- 3- Lifting / Boom extension

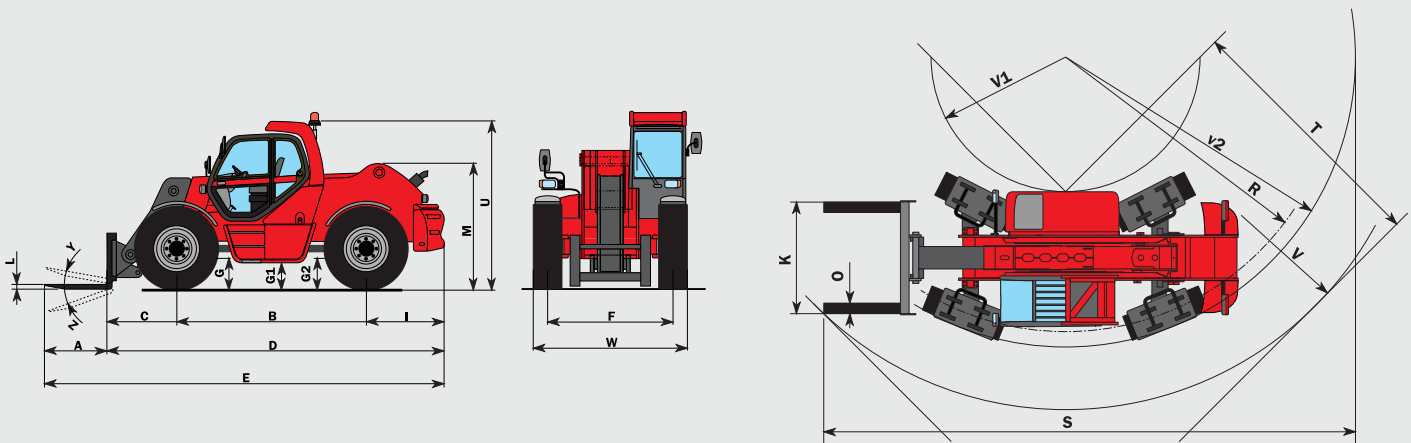
Flexibles :

TP tube type with high pressure type flexible links

Filtration degree (micron) :

Suction : 250 mic
 Return : 10 mic
 Filtration air tank : 10 mic

DIAGRAMS

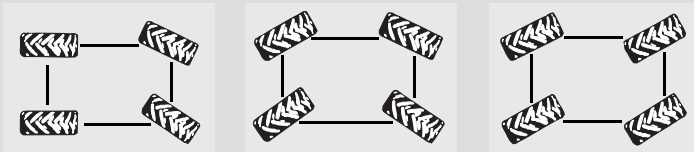


A	B	C	D	E	F	G	G1	G2	I	K	L	M	O	R	S	T	U	V	V1	V2	W	Y	Z
1500	3400	1330	5980	7480	2000	685	445	685	1250	2000	80	2210	200	5150	9605	4210	2935	6520	2590	5390	2480	12°	127°

AXLES

OMCI (stacker) Heavy Duty type, oil bath with epicycloidal reduction with 3 satellites
 Integrated steering cylinders with double action in high position.

3 steering modes :



2 wheel steering

4 wheel steering

Crabsteer

BRAKES

Type : oil bath multidisc
 Drive type : hydraulic
 On axle : front + rear
 Parking brake on front and rear axles :
 Oil bath multidisc negative parking brake

TYRES

Model : 16.00 R 25
 Pressure : 10 bar
 Drawbar pull : 15500 daN

LIFTING/TELESCOPING MOTIONS

Unladen lifting : 11.5 sec
 Unladen lowering : 7.8 sec
 Unladen extending internal telescope : 7.7 sec
 Unladen retracting internal telescope : 5.1 sec

FORKS

Standard equipment TFF 10750
 Dimensions : 200 x 80 x 1500 mm
 Weight of forks : 560 kg

CAPACITIES

Cooling circuit : 16 L
 Engine oil : 8.1 L
 Equipment hydraulic oil : 290 L
 Fuel tank : 200 L

WEIGHT

Total weight without equipment : 19300 kg
 Total weight unladen with forks : 20570 kg
 Total weight laden with forks : 34570 kg

Load on axle with standard equipment (unladen)

On front axle, boom retracted : 8430 kg
 On rear axle, boom retracted : 12140 kg

Load on axle with standard equipment (laden)

On front axle, boom retracted : 30660 kg
 On rear axle, boom retracted : 3910 kg

STANDARD EQUIPMENTS

- ROPS-FOPS cabin
- GRAMMER seat
- Front and rear wipers
- Driving lights
- Rotating beacon
- Left rearview mirror
- Safety device with automatic lock of aggravating movements
- Safety valves on cylinders
- Heating

OPTIONS

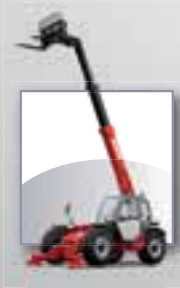
- Air conditioning
- Comfort seat
- Roof wipers
- Cabin rearview mirror

Equipment customised on order



Manitou, material handling world leader

Inventor of the rough terrain forklift truck, Manitou offers today the most comprehensive range to meet all specific handling and personal lifting requirements :



MANISCOPIC
Telescopic trucks



MANITOU
Rough terrain and semi industrial masted trucks



MANIACCESS
Access equipment



Twisco
Compact telescopic handler



MANIHOE
Backhoe/Loader with telescopic boom



MANITRANSIT
Truck mounted forklifts



MANILOADER
Articulated wheeled loaders



MANILEC
Electric pallet trucks and electric stackers

A network of skilled professionals at your service !

With a network of 600 service and parts centres in more than 120 countries, Manitou provides an efficient after-sales support based on the expertise of thousands of factory trained technicians.



The equipment supplied with each model may differ from that described in this leaflet. For more details, contact your MANITOU dealer.