

MANILEC

■ **CI Series**

Horizontal order pickers

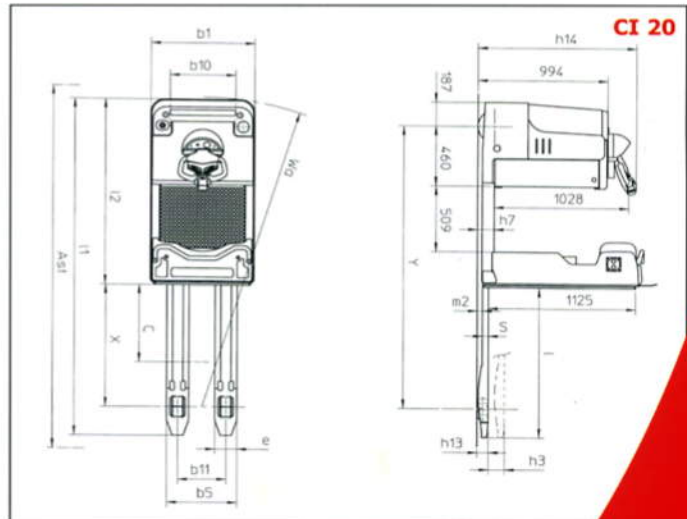
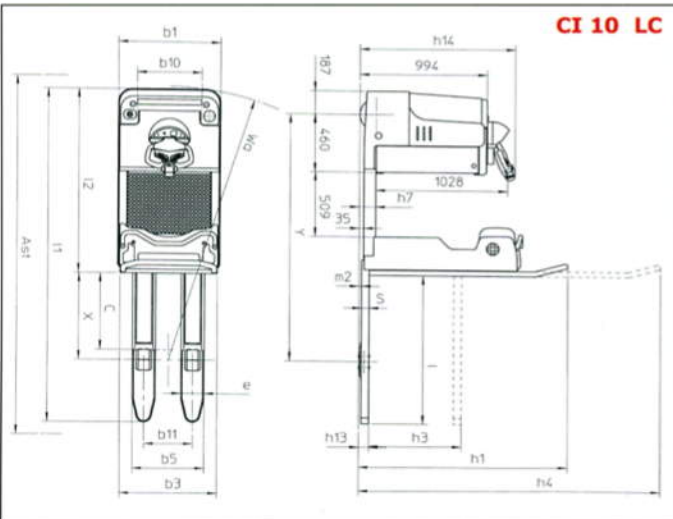
- Low level
- Complementary lift 800 mm



 **MANITOU**

				MANITOU		
				CI 20	CI 10 LC	
Designation	1.1	Manufacturer				
	1.2	Model type				
	1.3	Drive electric (battery or mains), diesel, petrol, fuel gas, manual		Battery	Battery	
	1.4	Type of operator : hand, pedestrian, standing, seated, order-picker		Order picker	Order picker	
	1.5	Load capacity	Q	t	2	1
	1.6	Load centre distance	C	mm	600	600
	1.8	Load distance, centre of drive axle to fork	x	mm	949	680
	1.9	Wheelbase	y	mm	2194	1950
	Weights	2.1	Service weight		kg	1450
2.2		Axle loading, laden front/rear		kg	1298/2152	946/1454
2.3		Axle loading, unladen front/rear		kg	928/522	896/504
Wheels	3.1	Tyres : solid rubber, superelastic, pneumatic, polyurethane			Polyurethane	Polyurethane
	3.2	Tyre size, front		mm	254x100	254x100
	3.3	Tyre size, rear		mm	4 (85x90)	4 (85x90)
	3.4	Additional wheels (dimensions)		mm	2 (140x50)	2 (140x50)
	3.5	Wheels, number front/rear (x = driven wheel)			1x1/4	1x1/4
	3.6	Track width front	b10	mm	505	505
	3.7	Track width rear	b11	mm	370	380
Dimensions	4.2	Height with mast lowered	h1	mm	-	1625
	4.4	Lift height	h3	mm	125	720
	4.5	Height with mast raised	h4	mm	-	2345
	4.8	Platform height	h7	mm	130	130
	4.9	Height of tiller in drive position	h14	mm	1212	1212
	4.15	Lowered height	h13	mm	85 ± 5	80 ± 5
	4.19	Overall length	l1	mm	2602	2628
	4.20	Length to face of forks	l2	mm	1432	1458
	4.21	Overall width	b1/b2	mm	800	800
	4.22	Fork dimensions (thick x wide x long)	s/e/l	mm	45x170x1170	60x180x1170
	4.24	Width of fork carriage	b3	mm	-	760
4.25	Width over forks	b5	mm	540	560	
4.32	Ground clearance, centre of wheelbase	m2	mm	40	20	
4.34	Aisle width for pallets 800x1200 lengthways (b12x16)	AST	mm	2851	2878	
4.35	Turning radius	Wa	mm	2400	2158	
Performance	5.1	Travel speed load/unload		km/h	9/12	10/12
	5.2	Lift speed, load/unload		m/s	0,10/0,15	0,08/0,12
	5.3	Lowering speed, load/unload		m/s	0,13/0,10	0,14/0,11
	5.8	Maximum gradient performance, load/unload (S2 5 min)		%	6/10	6/10
	5.10	Service brake			Electromagnetic	Electromagnetic
Drive unit	6.1	Drive motor rating (S2 60 min)		kW	2	2
	6.2	Lift motor rating (S3 10%)		kW	2	2
	6.3	Battery type as per standard DIN 43531/35/36,A,B,C			Traction	Traction
	6.4	Battery voltage and capacity		V/Ah	24/465	24/465
	6.5	Battery weight (+/- 5%)		kg	435	435
Misc	8.1	Type of drive control			AC Mosfet Variator	AC Mosfet Variator
	8.4	Sound level at driver's ears (translation)	dB	(A)	66	66

Imp. METAS S.A. - 95110 Saran - 09/2005 - REF. 1160 GB



CE MANITOU may, without notice, improve and modify the products presented in this data sheet.

MLM
 Z.I., 5, Avenue du Vert-Galant - 95310 SAINT-OUEN L'AUMONE - FRANCE
 Tél. : +33 (0) 1.34.32.65.06 or 08 - Fax : +33 (0) 1.34.32.65.10

