

MANILEC

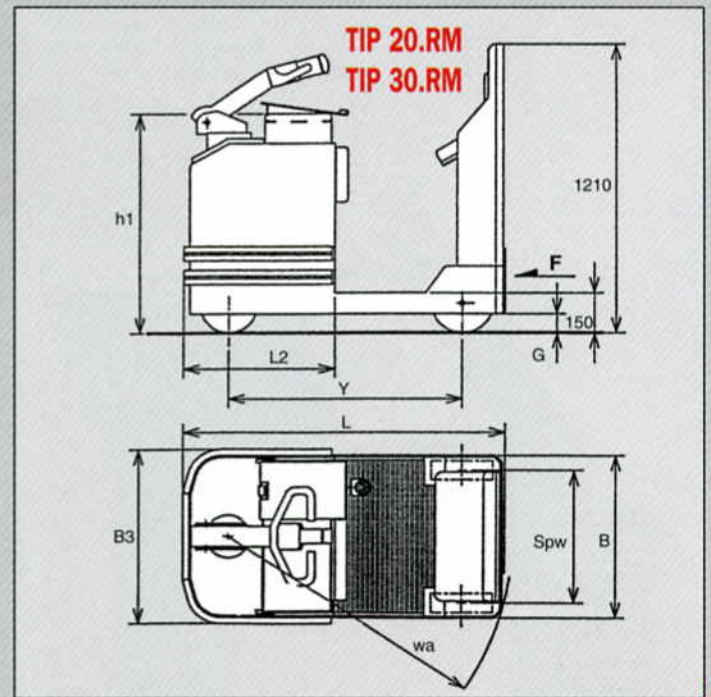
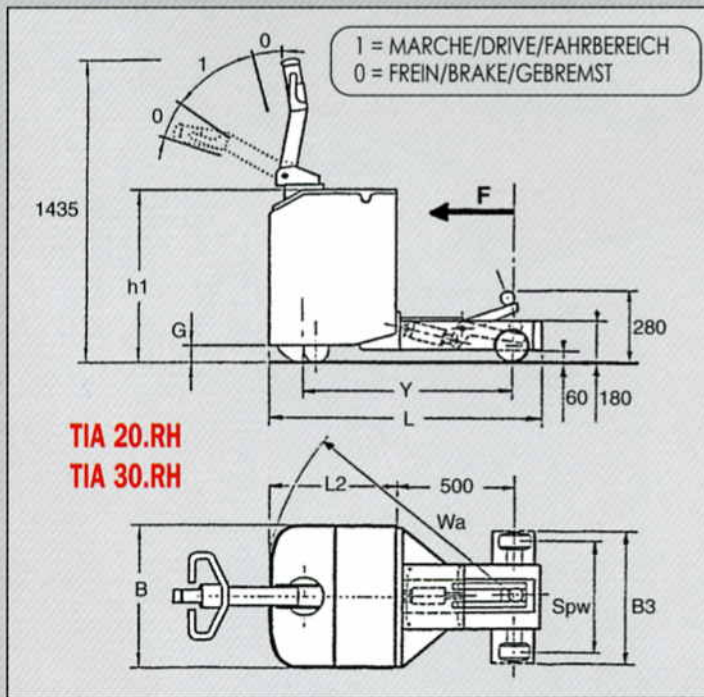
TI 520A/530A

TI 520P/530P

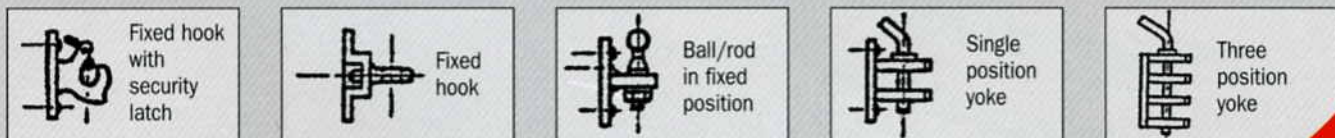
Electric tractors with pedestrian
or ride-on operator with hydraulic
towing (RH) or manual towing (RM)



Code	1 Manufacturer		MANITOU				
	2 Models		TIA20	TIA30	TIP20	TIP30	
Specifications	3 Driving type		Pedestrian operator		Ride-on & sitting/standing		
	4 Towing capacity		2000	3000	2000	3000	
	5 Draw torque		F	220/70	220/140	220/55	220/80
Dimensions	6 Overall length		L	1130 (1200 with battery 270 and 330 Ah)		1300	
	7 Chassis length		L2	530 (600 with battery 270 and 330 Ah)		630	
	8 Overall chassis width		B	680		740	
	9 Overall width of the rear axle		B3	650		680	
	10 Constant chassis height		h1	810 (900 with battery 330 Ah)		1100	
	11 Ground clearance under chassis		G	80		80	
	12 Wheel base		Y	790 (860 with battery 270 and 330 Ah)		960	
	13 Width between rear load bearing wheels		Spw	500		540	
Weight	14 Turning radius		Wa	1050 (1120 with battery 270 and 330 Ah)		1175	
	15 Net weight without battery : version RM/RH		kg	430/390	450/410	420/450	430/460
Wheels	16 Net battery weight 180, 270 and 330 A/h		kg	160-240-290			
	17 Rubber drive and directing wheel Q x (Ø x L)		mm	1 x (230 x 75)			
	18 Polyurethane stabilising wheels Q x (Ø x L)		mm	2 x (120 x 50)			
Performances	19 Polyurethane or rubber rear wheels Q P/C (Ø x L)		mm	2P (150 x 70)	2C (250 x 100)		
	20 Speed unload/load		km/h	6/5	6/6	11/8	11/7
Power	21 Gradient unload/load		%	20/6		20/6	
	22 Drive motor 24 V (S2-60 mn)		W-type	1000 - Compound	2100 - Serial	2100 - Serial	
	23 Progressive drive on speed controller		Amp	270 A	400 A	270 A	400 A
	24 Brakes		type	Electromagnetic + autoreverse on controller			
Energy	25 Lifting motor 24 V on RH version (S3-10%)		W	2000			
	26 Traction battery 24 V		A/h	180 to 330 / 180 to 450			
	27 External charger with electronic regulation, single phase 220 V		Amp	25 A or 40 A			



Manual mechanical hooking



MANITOU may, without notice, improve and modify the products presented in this data sheet.



MLM
Z.I. 5, Avenue du Vert-Galant
95310 SAINT OUEEN-L'AUMONE - FRANCE
BP 634 - F 95004 CERGY-PONTOISE CEDEX
Tél. : +33 (0) 1.34.32.65.06 or 08
Fax : +33 (0) 1.34.32.65.10